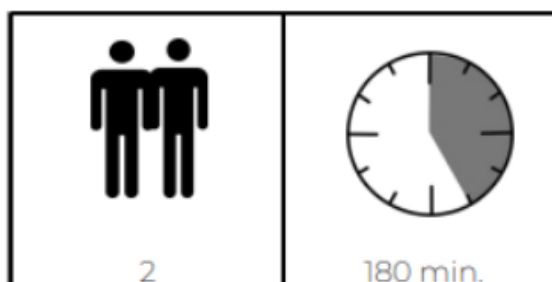


evolar

HEAT PUMP COVER INSTALLATION INSTRUCTIONS



SILENTBOX ALFA S










Evolar


















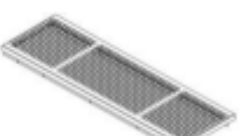




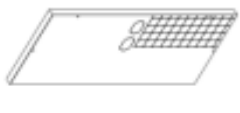

Mercuriusstraat 5
6541 BM Nijmegen
The Netherlands

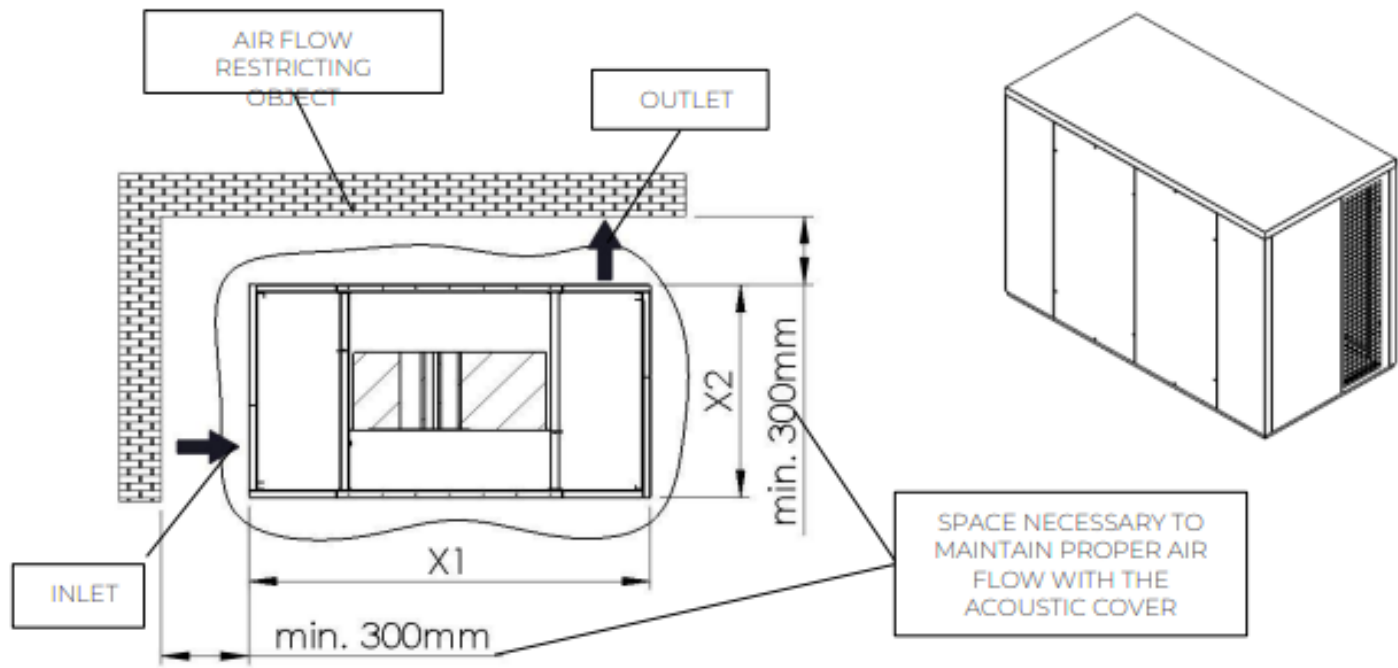
T +31 (0)24 2120369
www.evolarshop.com

TOOLS REQUIRED FOR ASSEMBLY (NOT INCLUDED)

				
HAMMER	TAPE MEASURE	DRILL	BORER pr.8x60	IMBUS 4
				
HEADER 8mm	KNIFE			

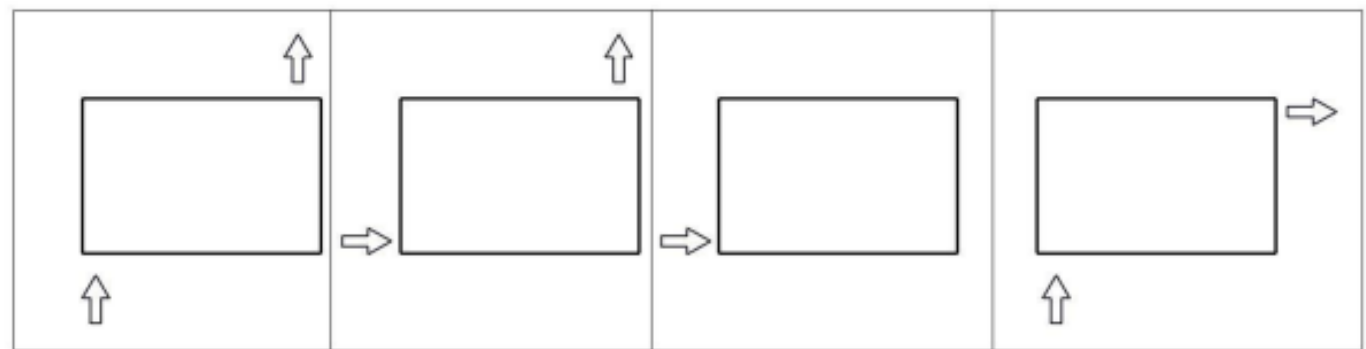
PACKAGE CONTENTS

				
142x	20x	142x	20x	10x
SCREW M6x16 DIN 7380	SCREW M6x60 DIN 7380	WASHER 6 DIN 125A	WASHER 8 PLAST	TEX 4,8x16
				
13x	5m	18m	2x	2x
MNA-Z 8x50	DOUBLE-SIDE ADHESIVE TAPE	EPDM SEAL	ALFA S1	ALFA S2
				
2x	2x	2x	1x	2x
ALFA S6	ALFA S8	ALFA S9	ALFA S12	ALFA S13
				
1x	2x	2x	2x	1x
ALFA S14	ALFA S15	ALFA S16	ALFA S18	ALFA S19
				
1x	1x	1x	1x	
ALFA S20	ALFA S21	ALFA S22	ALFA S5	

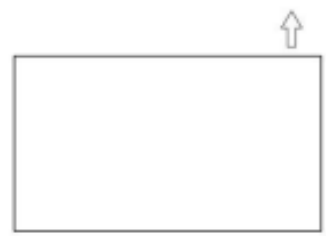


X1 (mm):	X2 (mm):
1560	790

SILENTBOX ACOUSTIC COVER COMBINATION AND DISCHARGE



ACOUSTIC COVER DISCHARGE DIRECTION



ACOUSTIC COVER DISCHARGE DIRECTION



ASSEMBLY POINT NO: 3.1; 3.2; 3.3.

ASSEMBLY POINT NO: 4.1; 4.2; 4.3

ACOUSTIC COVER SUCTION DIRECTION

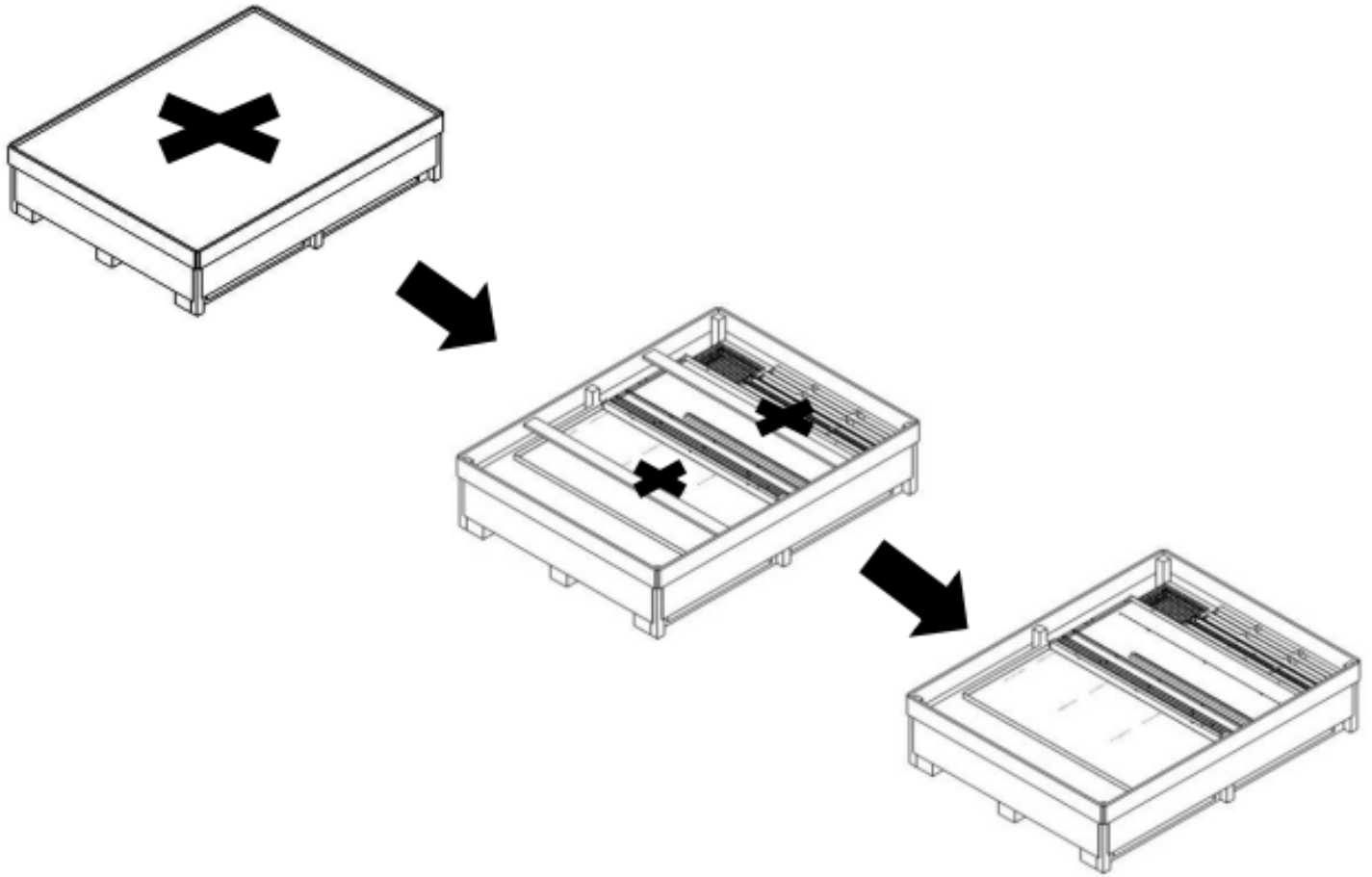
ACOUSTIC COVER SUCTION DIRECTION



ASSEMBLY POINT NO: 5.1; 5.2; 5.3.

ASSEMBLY POINT NO: 6.1; 6.2; 6.3.

1.



2.



2x

ALFA S1



2x

ALFA S2



TAPE MEASURE



HAMMER



BORER pr.8x60



DRILL



IMBUS 4



13x

MNA-Z 8x50



12x

SCREW M6x16 DIN 7380



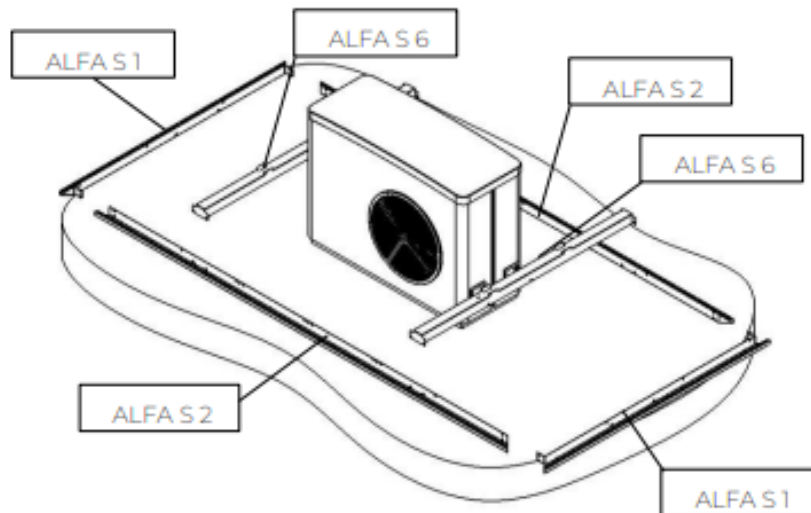
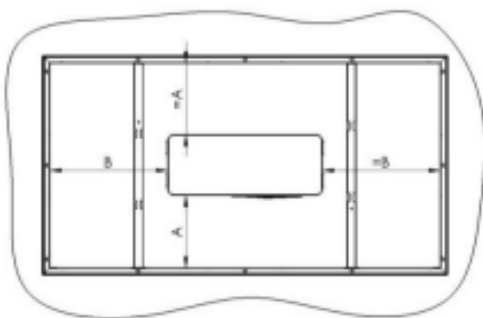
2x

GAMA S6

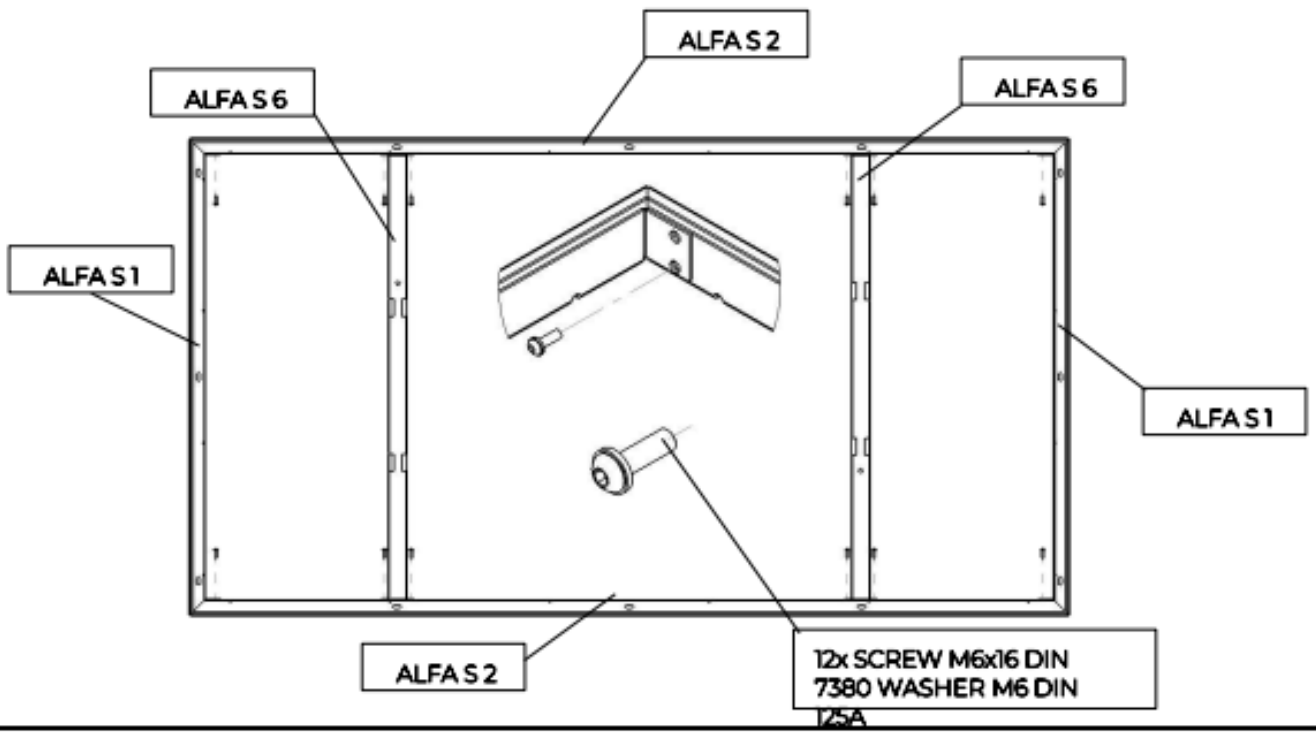


12x

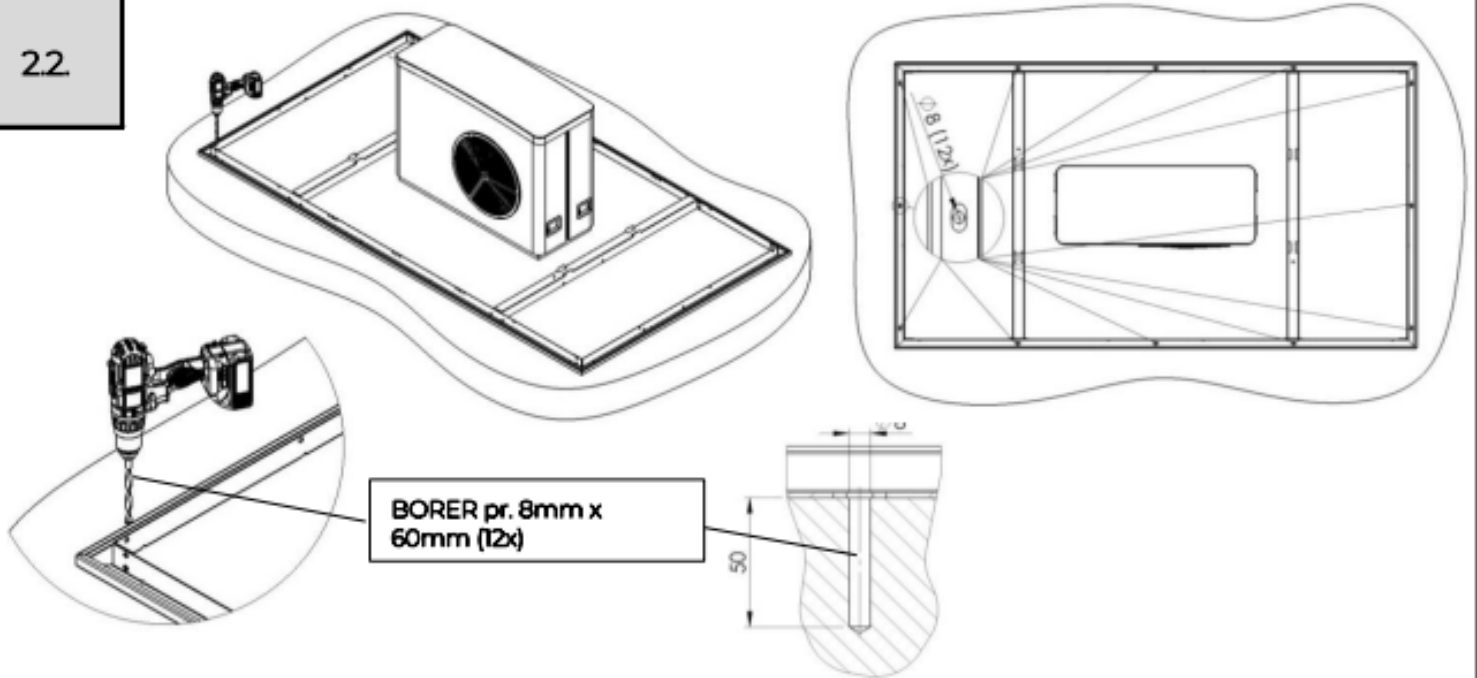
WASHER 6 DIN 125A



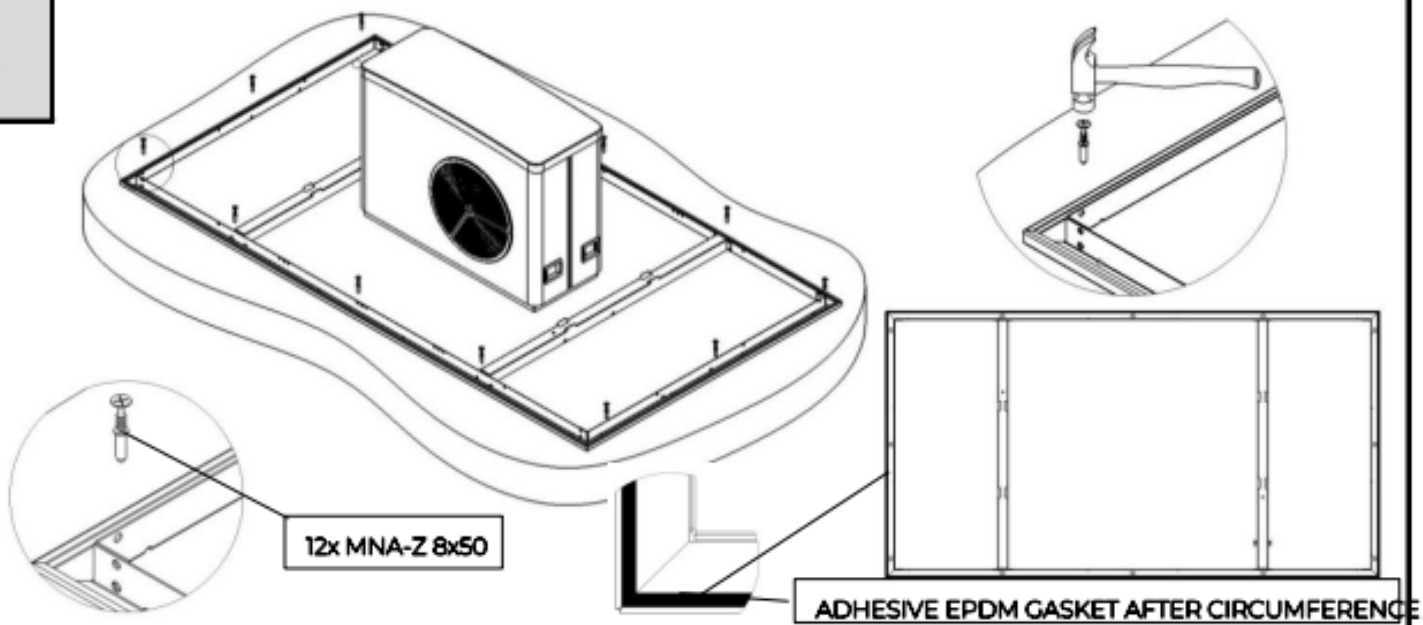
21.



22.



23.



3.1.

DIRECTION OUTLET

ALFA S 9

ALFA S 15

ALFA S 16



ALFA S 18



ALFA S 21



SCREW M6x16 DIN 7380



WASHER 6 DIN 125A



IMBUS 4



SCREW M6x60 DIN 7380



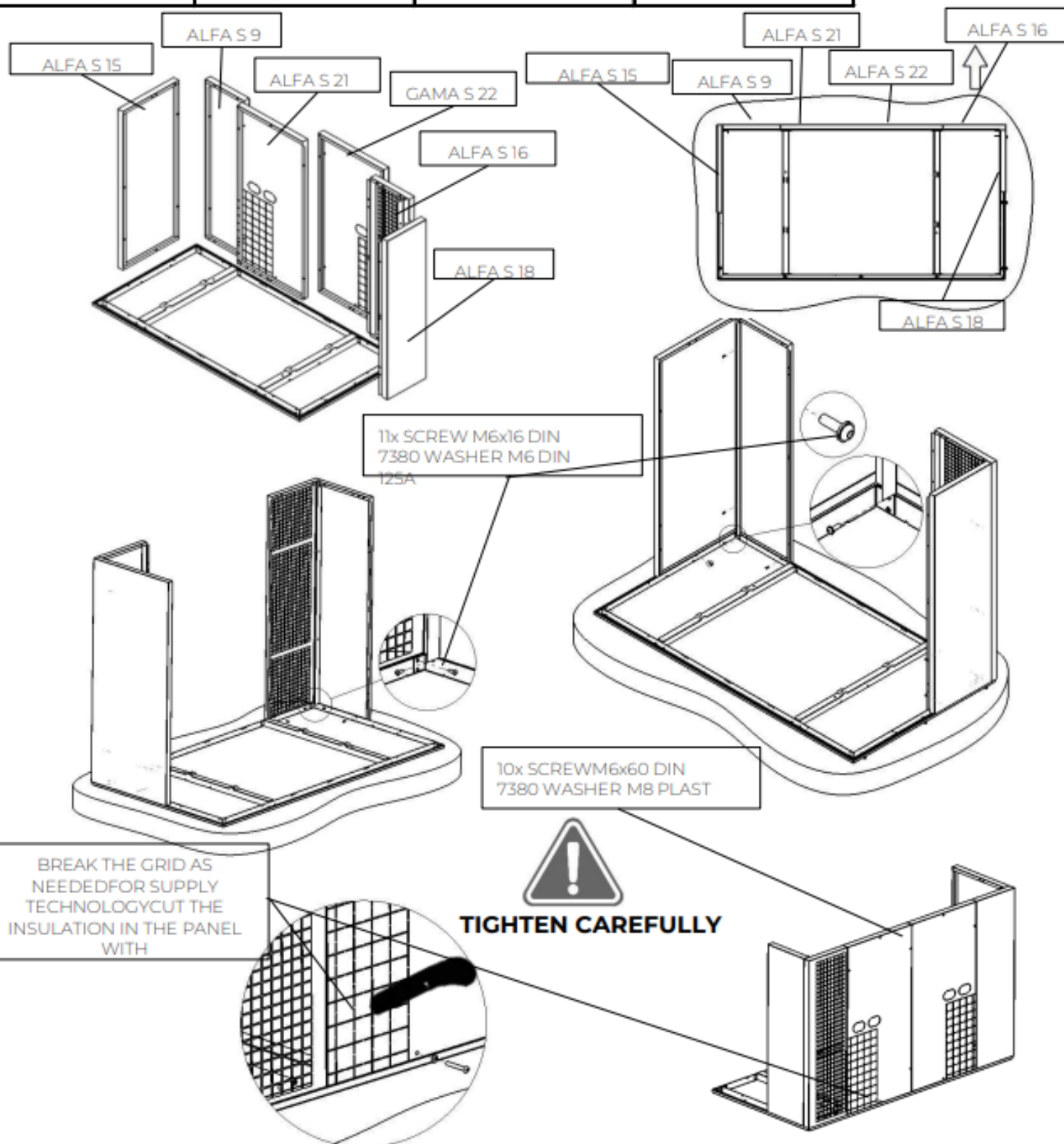
WASHER 8 PLAST




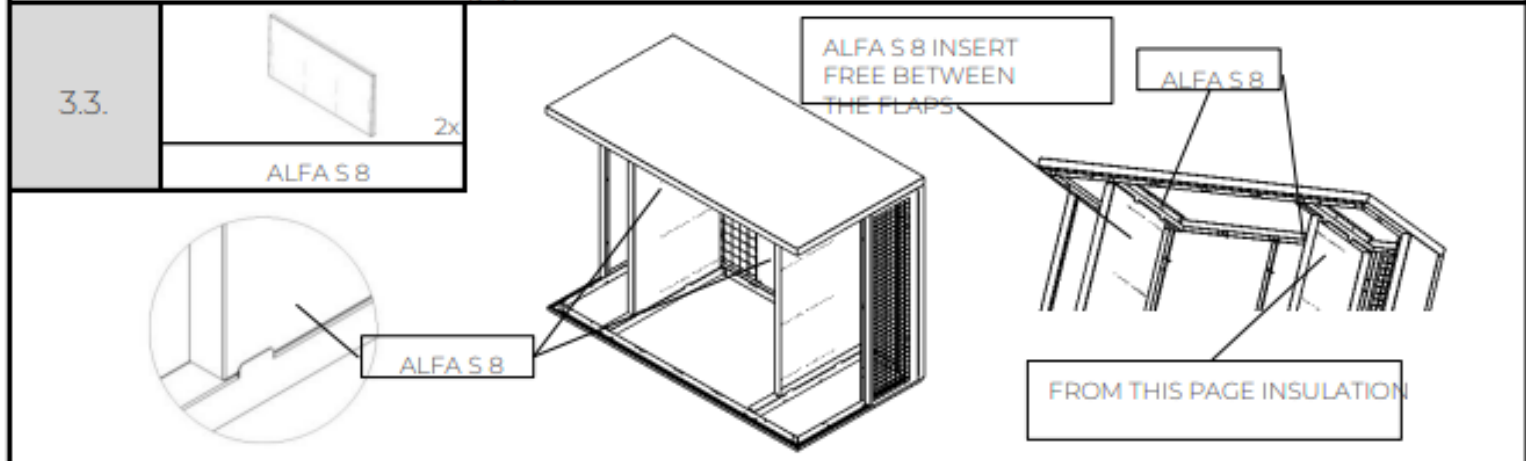
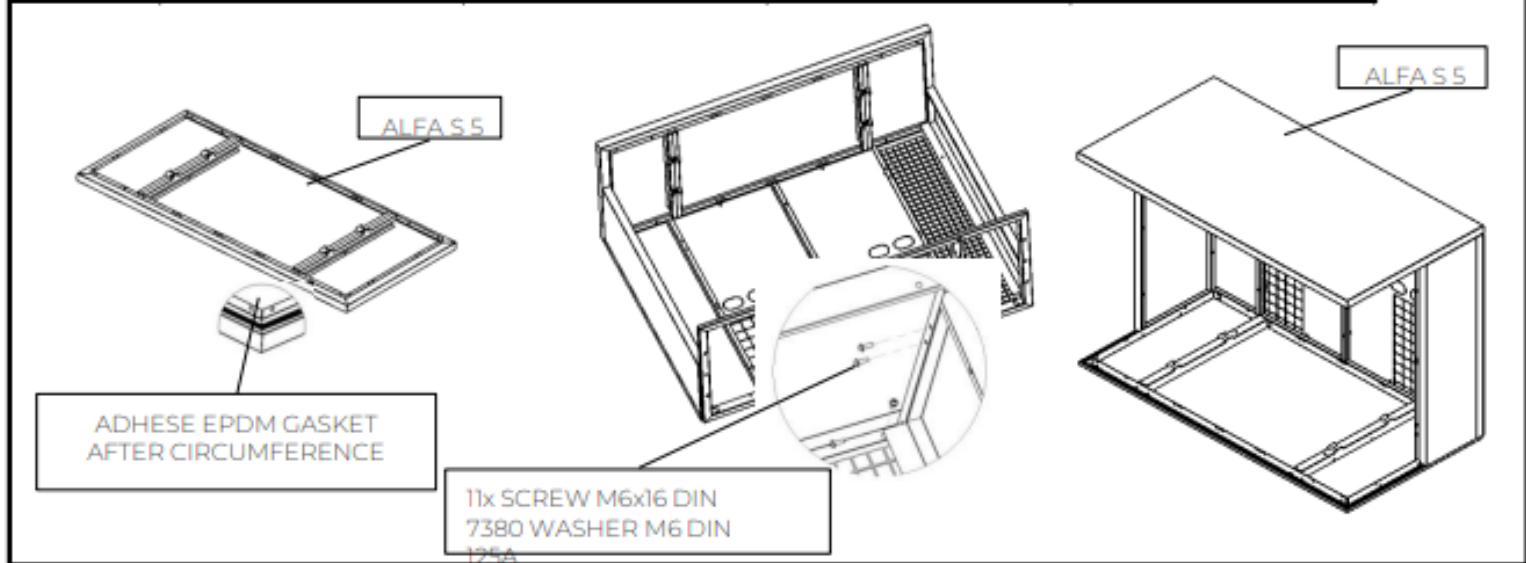
KNIFE





ALFA S 22

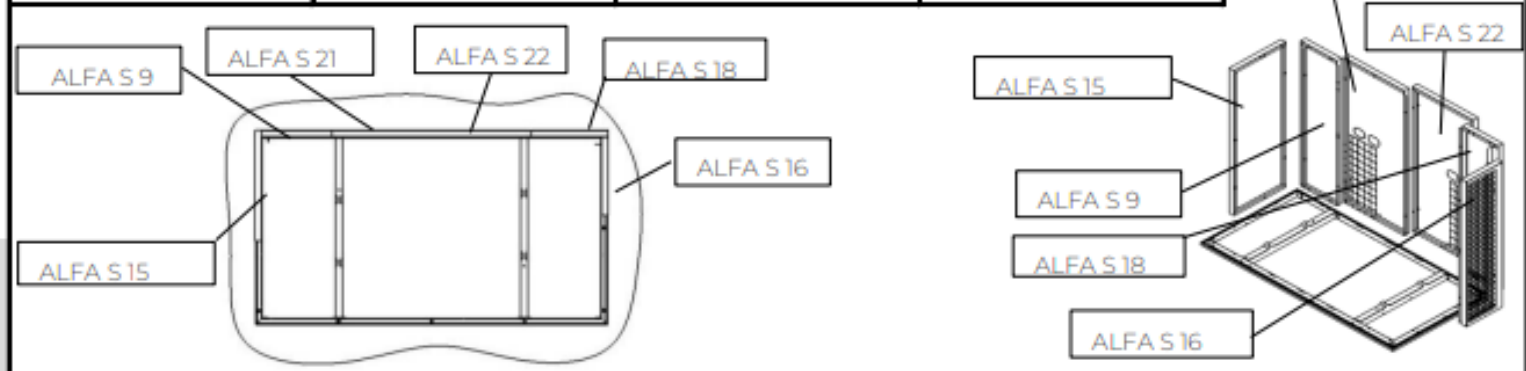


3.2.				
	ALFA S 5 1x	SCREW M6x16 DIN 7380 10x	WASHER 6 DIN 125A 10x	IMBUS 4

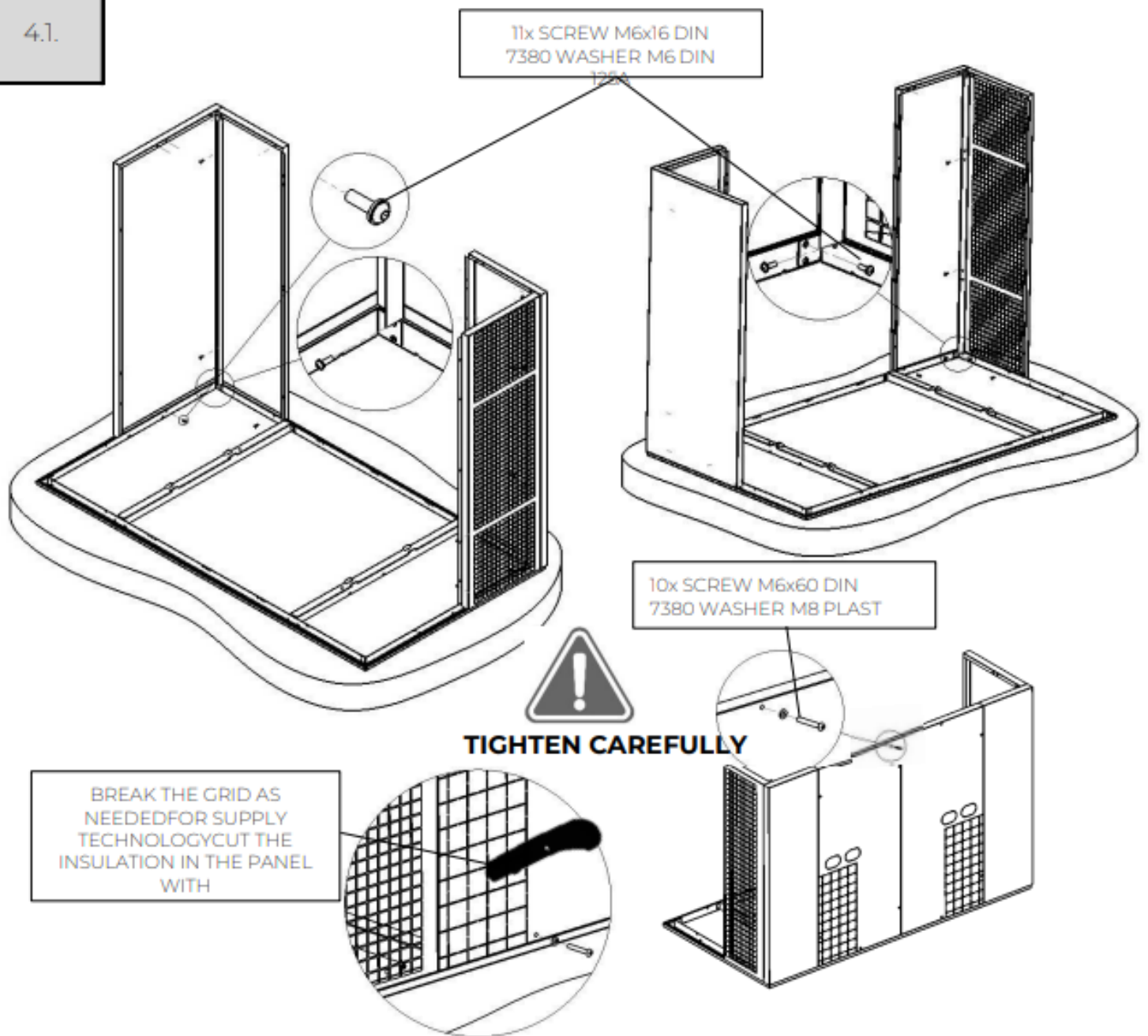


4.1.				
	DIRECTION OUTLET	ALFA S 9 1x	ALFA S 15 1x	ALFA S 16 1x





				
ALFA S 18 1x	ALFA S 21 1x	ALFA S 22 1x	WASHER 6 DIN 125A 11x	IMBUS 4
				
SCREW M6x60 DIN 7380 10x	WASHER 8 PLAST 10x	SCREW M6x16 DIN 7380 11x	KNIFE	

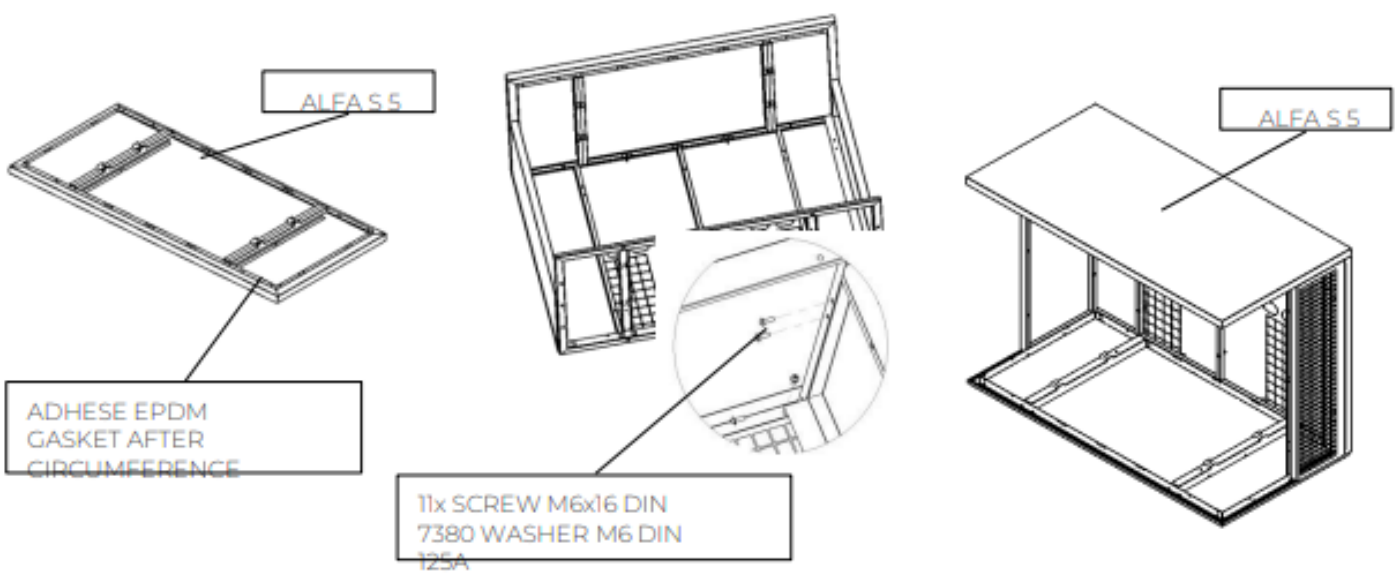


4.1.

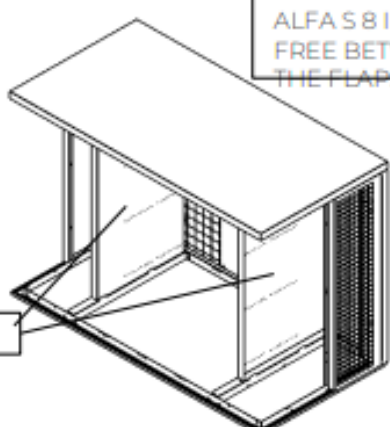
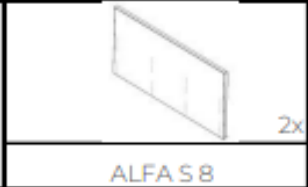


4.2.

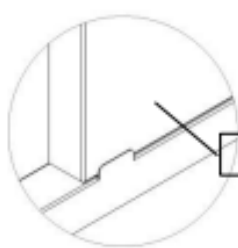
			
1x	10x	10x	
ALFA S 5	SCREW M6x16 DIN 7380	WASHER 6 DIN 125A	IMBUS 4



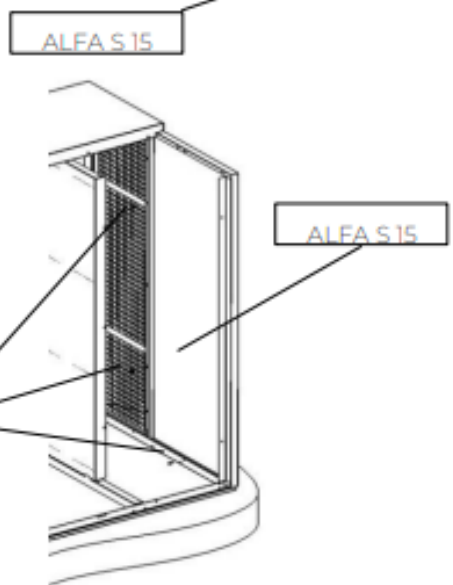
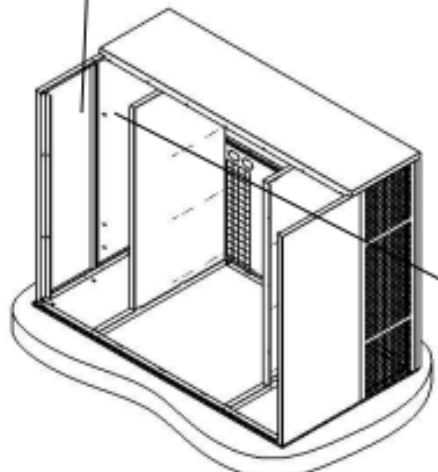
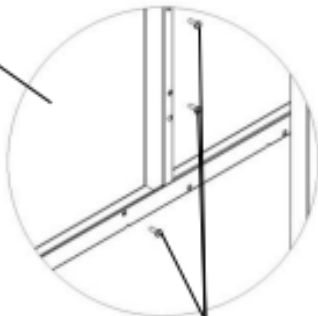
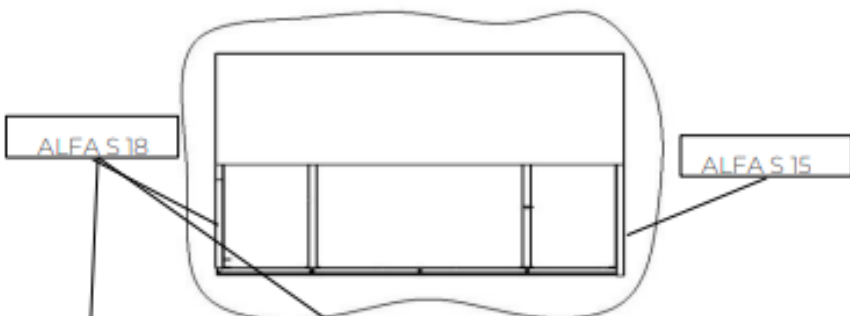
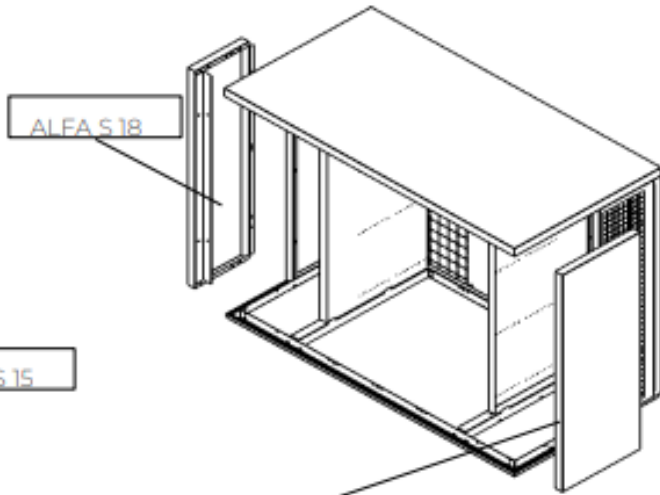
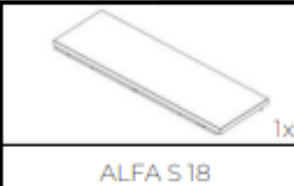
4.3.



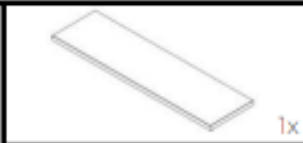
FROM THIS PAGE INSULATION / SECOND PAGE MIRROR



5.1.



5.2.



ALFA S 9



SCREW M6x16 DIN 7380



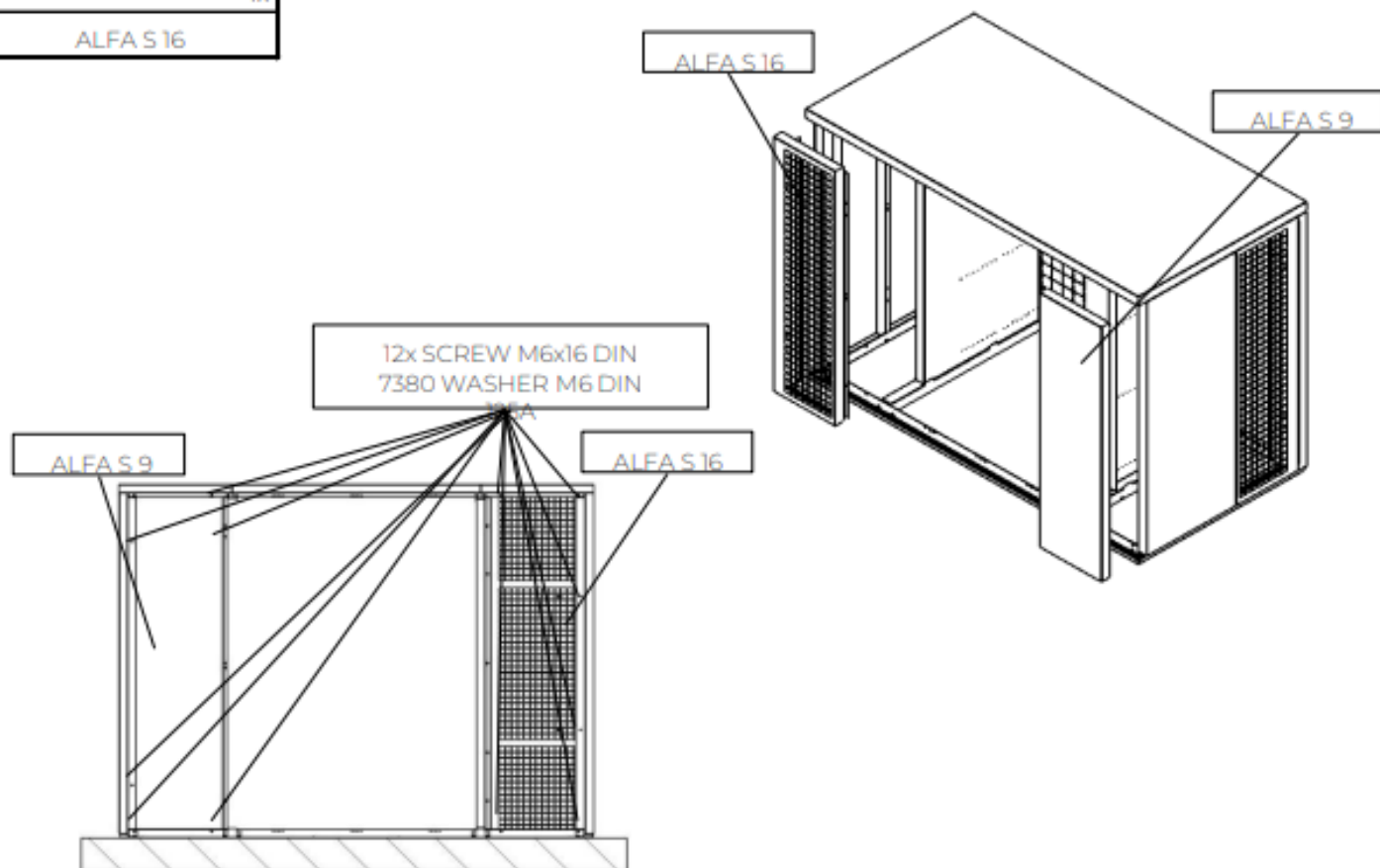
WASHER 6 DIN 125A



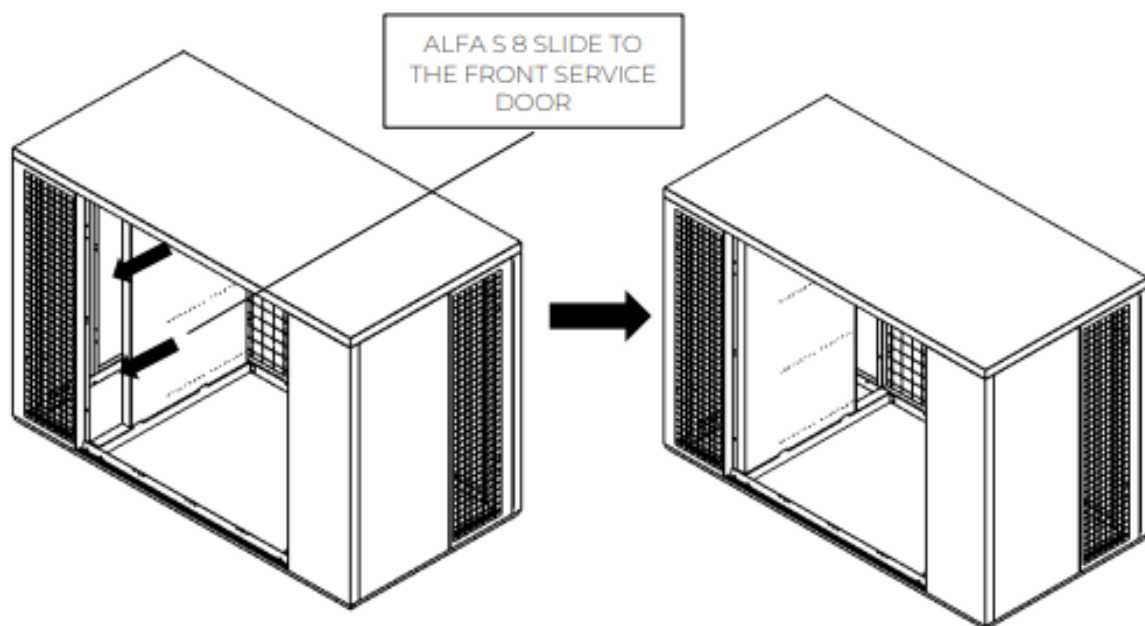
IMBUS 4



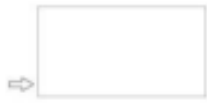
ALFA S 16



5.3.



6.1.



DIRECTION INLET



ALFA S 16

1x



ALFA S 15

1x



IMBUS 4



8x

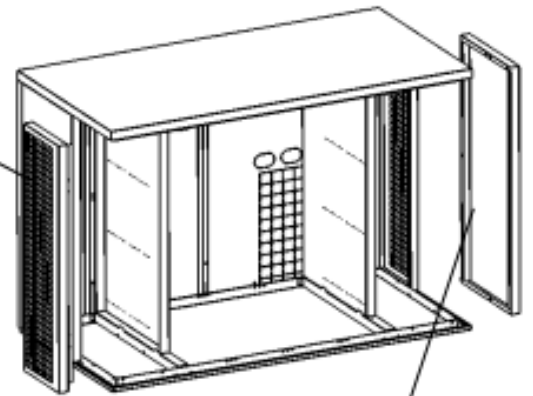
SCREW M6x16 DIN 7380



8x

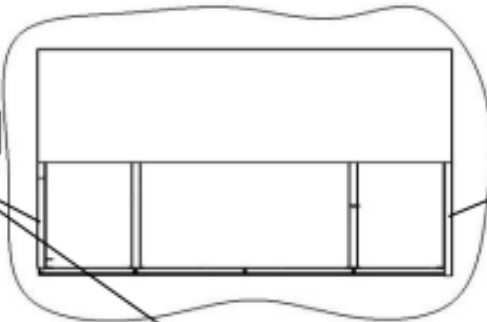
WASHER 6 DIN 125A

ALFA S 16

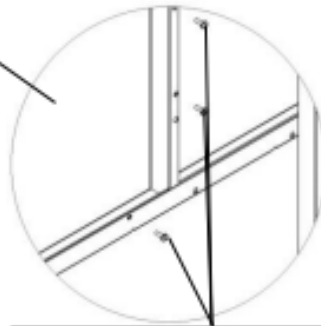


ALFA S 15

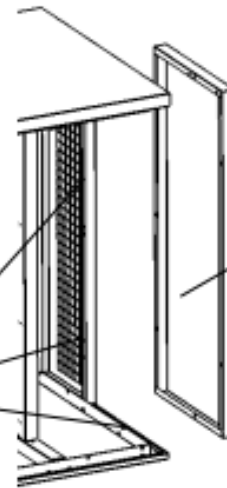
ALFA S 16



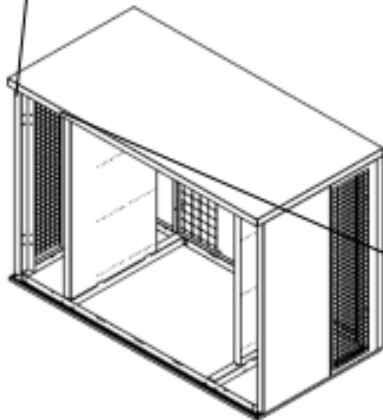
ALFA S 15



8x SCREW M6x16 DIN
7380 WASHER M6 DIN
125A



ALFA S 15



6.2.



1x

ALFA S 9



12x

SCREW M6x16 DIN 7380



12x

WASHER 6 DIN 125A



IMBUS 4



1x

ALFA S 18

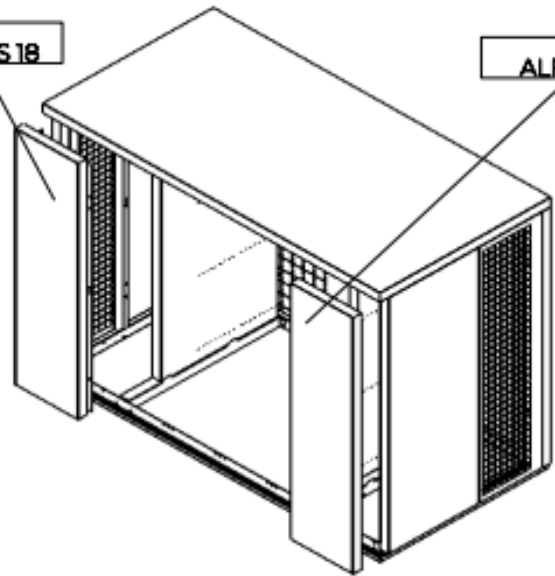
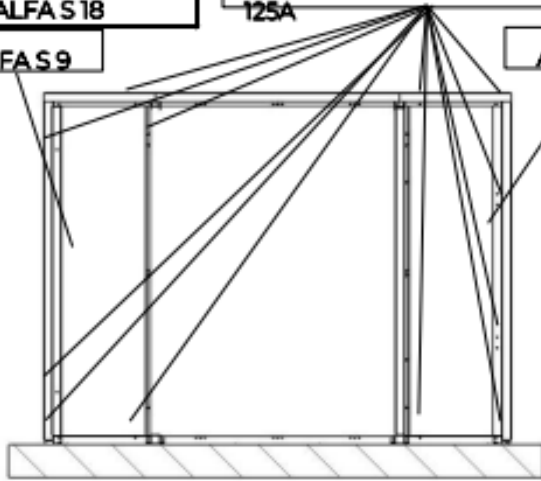
13x SCREW M6x16 DIN 7380
WASHER M6 DIN 125A

ALFA S 18

ALFA S 9

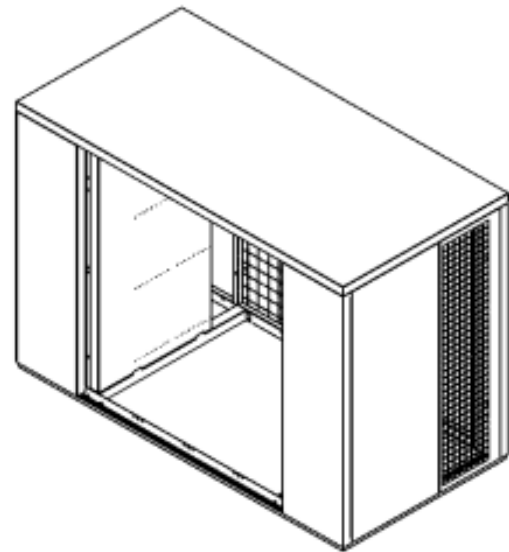
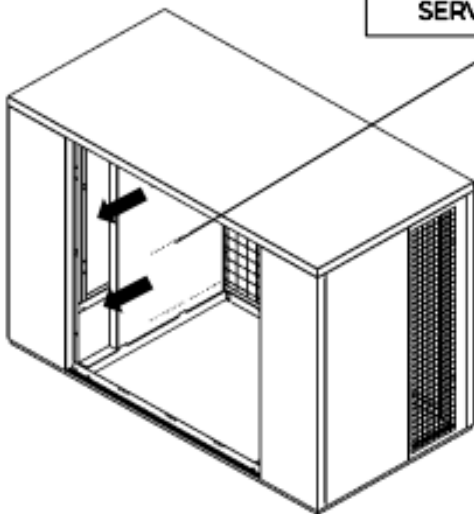
ALFA S 9

ALFA S 16

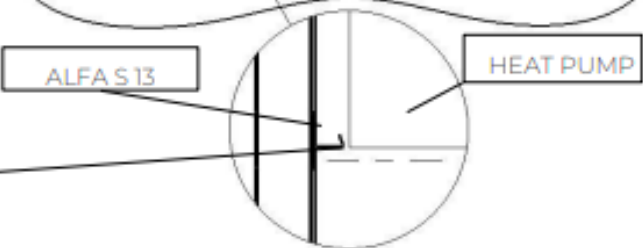
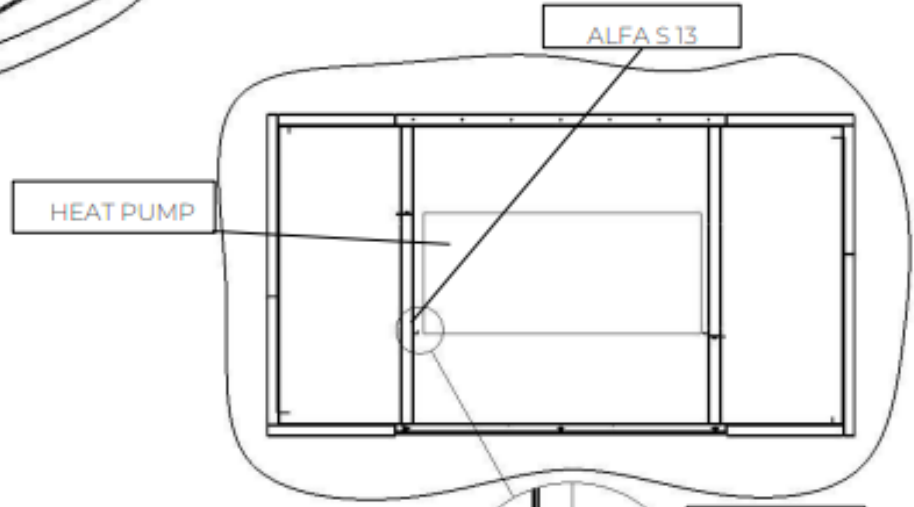
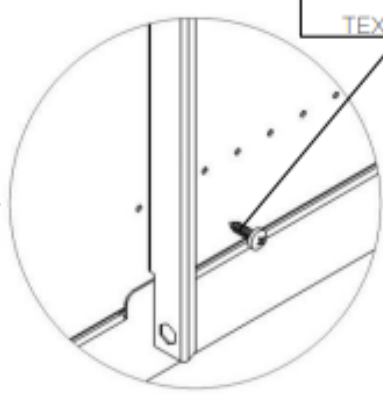
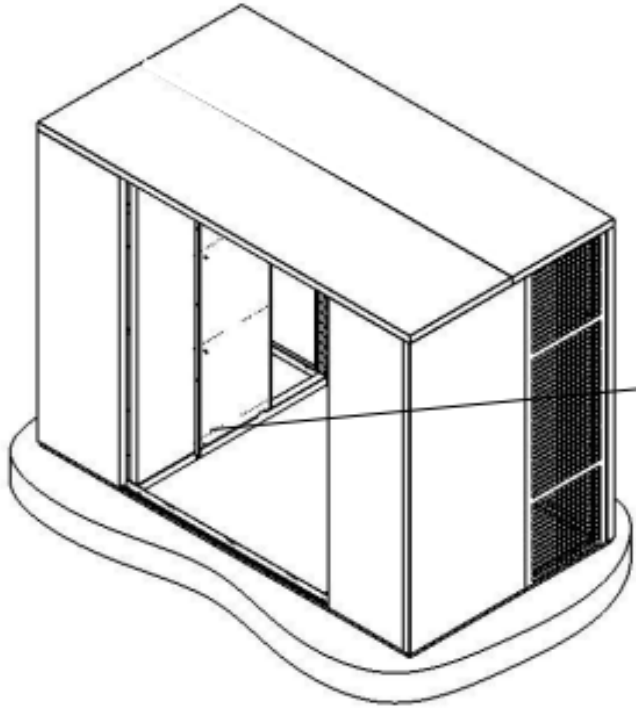
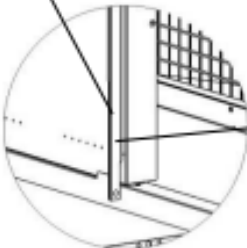
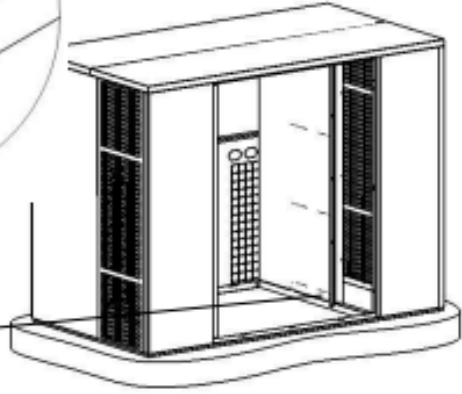
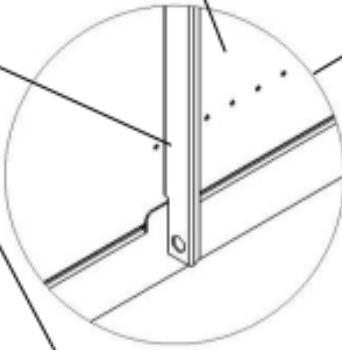
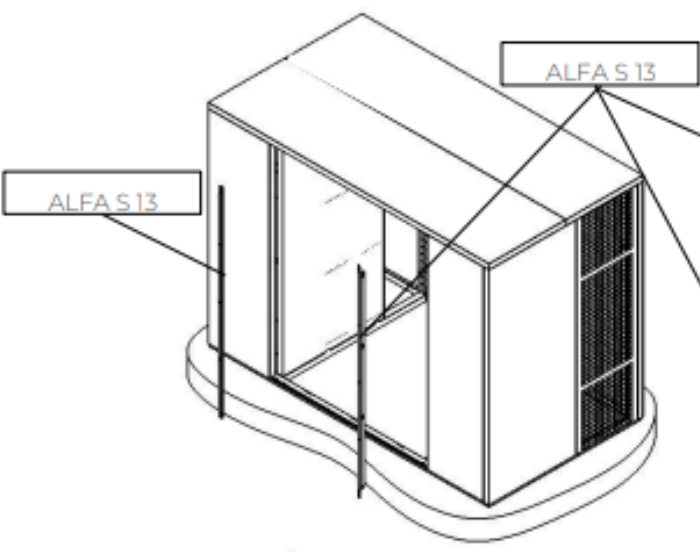
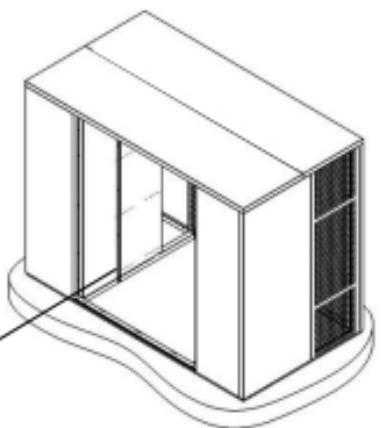


6.3.

ALFA S 8 SLIDE TO
THE FRONT
SERVICE DOOR



7.1.

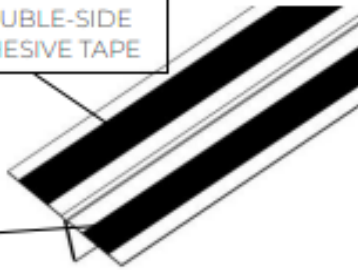


ALFA S 13 ALIGN TO ONE PLANE WITH HEAT PUMP

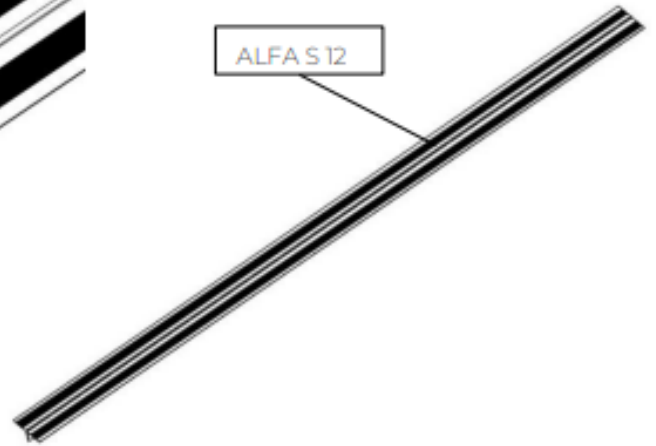
7.2.



DOUBLE-SIDE
ADHESIVE TAPE

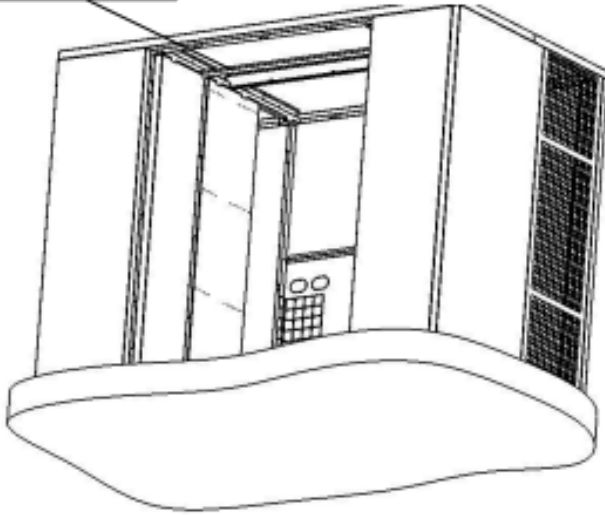


ALFA S12

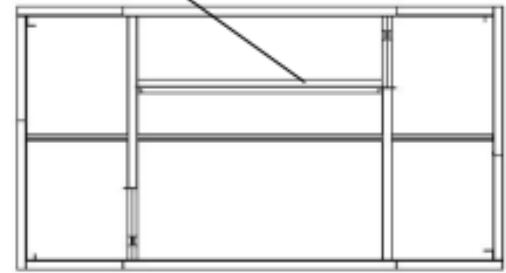


SHORT THE PART AS NEEDED

ALFA S12



ALFA S12

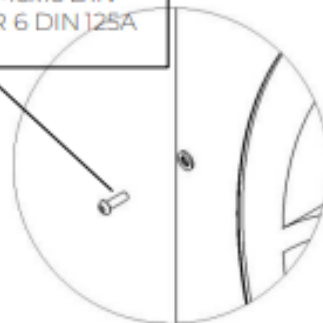
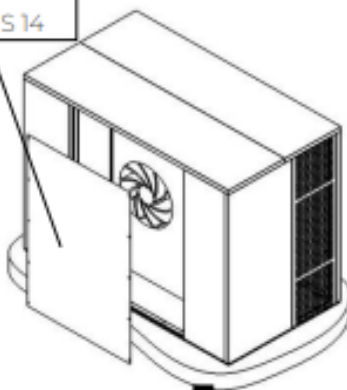


7.3.

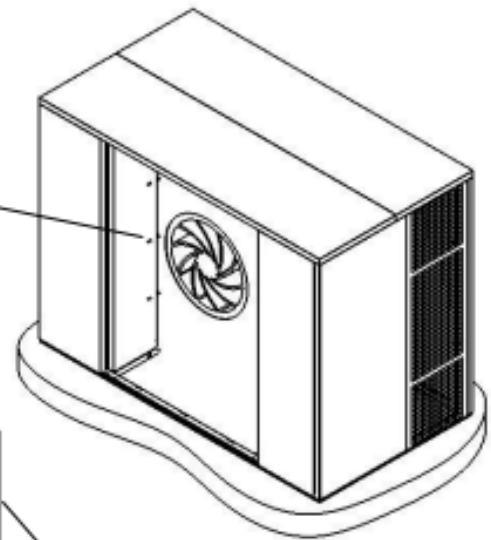


10x SCREW M6x16 DIN
7380 WASHER 6 DIN 125A

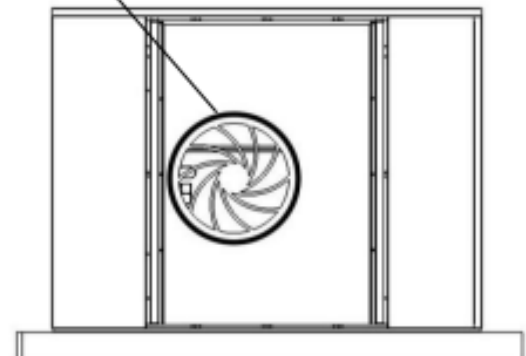
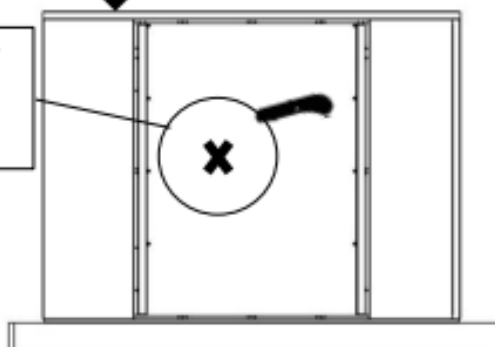
ALFA S14



REMOVE PART ALFA S14
AND FAN ENCLOSURE
WITH DOUBLE-SIDED
ADHESIVE TAPE



TO ALFA PART
S14 CUT FACE
SHAPE ON
HEAT PUMP



7.4.



1x

ALFA S 19



SCREW M6x60 DIN 7380



WASHER 8 PLAST



IMBUS 4

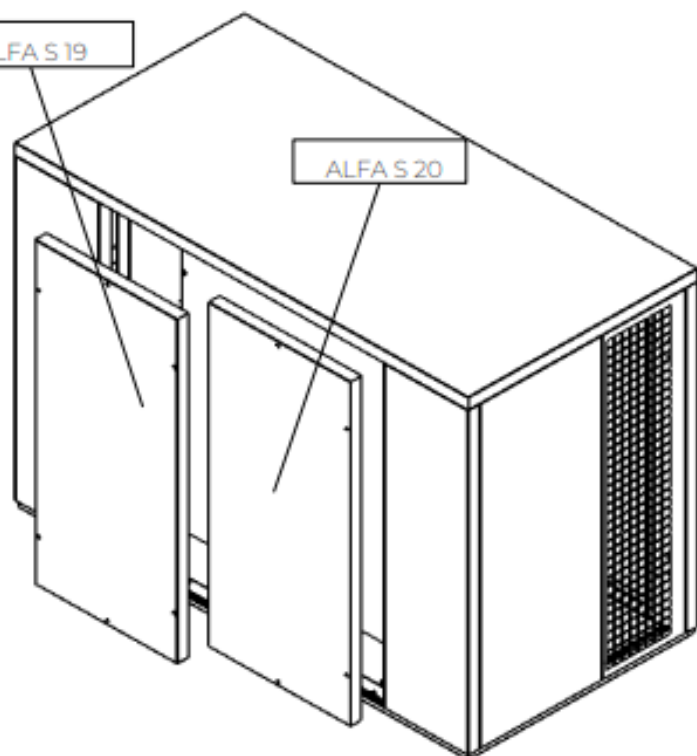


1x

ALFA S 20

ALFA S 19

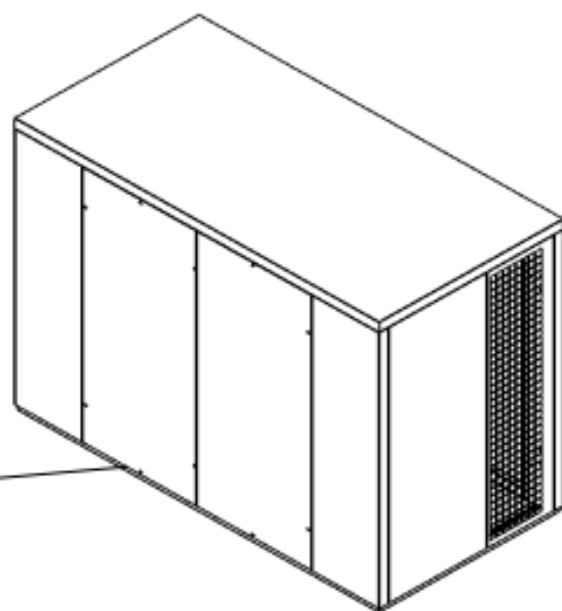
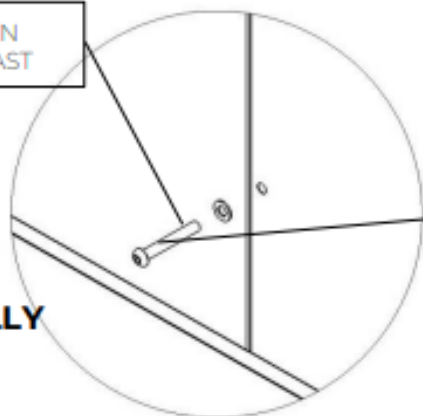
ALFA S 20

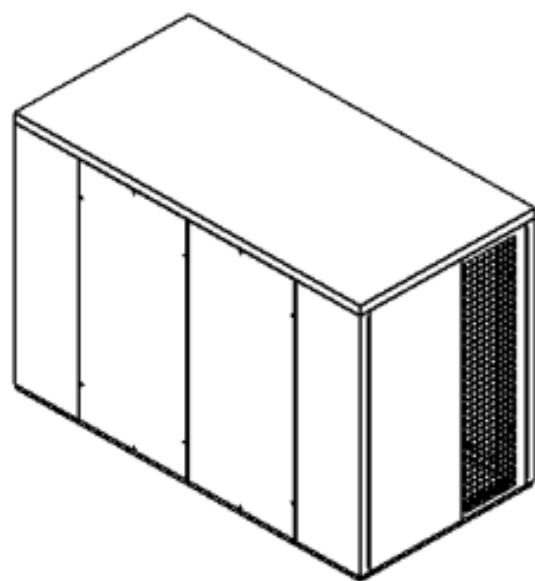
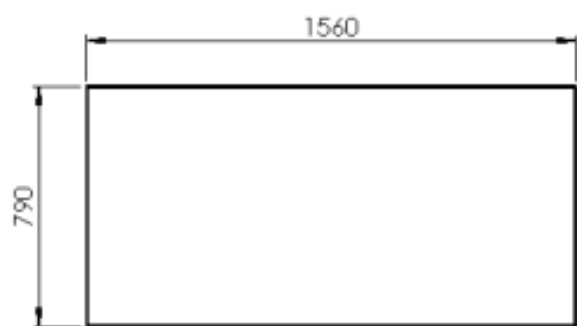
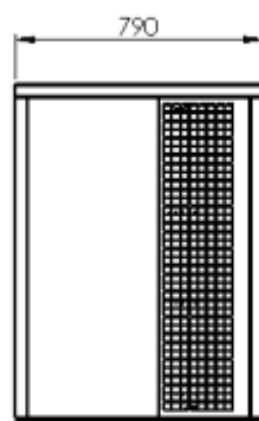
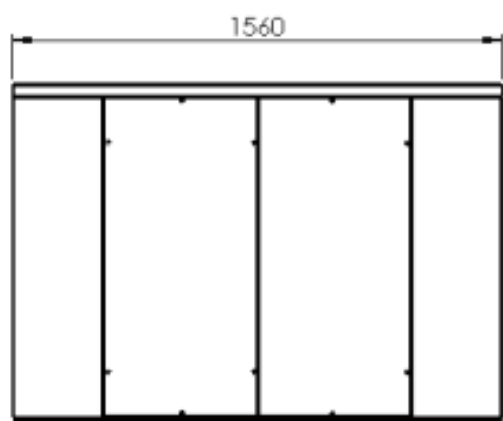
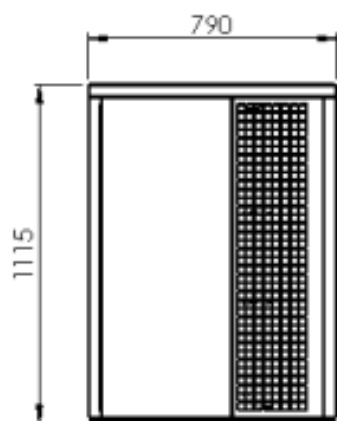


10x SCREW M6x60 DIN 7380
WASHER M8 PLAST



TIGHTEN CAREFULLY





evolar